



MAX BLANK
HIGH QUALITY

BONN Steel

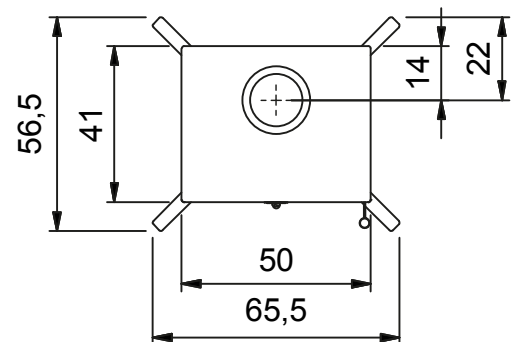
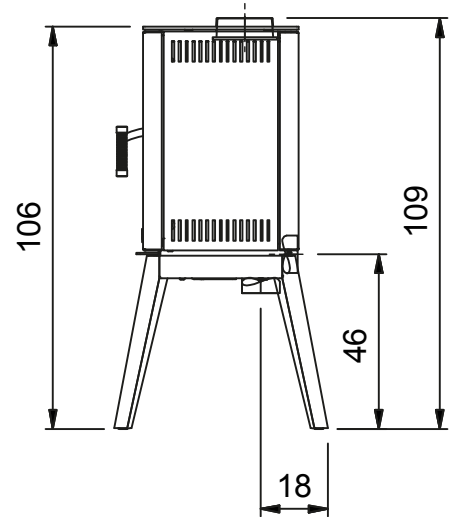
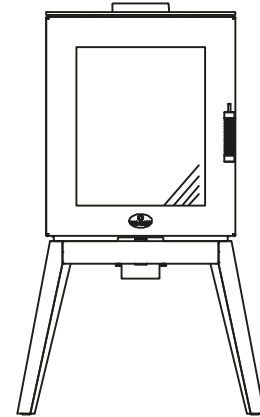
A+

**wood or pellet
without electricity**

NEW MODEL

Technical specifications of the small stove Bonn

measurements (cm)	width	height	depth
stove	65,5	106	56,5
combustion chamber	37	30	29
fire glass	34	42	
fire door	50	58	
flue pipe connection Ø 15 to ↑ height to top pipe socket			109
outside air connection Ø 10 to → or ↓ height to mid connection horizontal			46
depth to mid connection vertical			18
total weight	chamotte bricks	heat accumulator	
150 kg	26 kg	-	
data for	pellet box S	pellet box XL	wood
nominal heat output	7,5 kW	11 kW	6,5 kW
output range	7,5 - 5 kW	11 - 8,5 kW	6,5 - 3,3 kW
efficiency	87%	85%	87%
heating capability*	50 - 150 m³	70 - 250 m³	70 - 250 m³
amount of fuel	3,8 kg	7,5 kg	2,9 kg / h
fire duration	up to 2,5 h	up to 5 h	up to 5 h
heat release	up to 7 h	up to 9 h	up to 9 h
flue gas flow volume	8,97 g/s	10,74 g/s	10,3 g/s
exhaust °C (nozzle)	180 °C	230 °C	268 °C
min/max feed press.	12 / 15 Pa	13 / 15 Pa	12 / 15 Pa
CO (13%/O2) [mg/m³]	1166	880	1074
CO (13%/O2) [%]	0,093	0,070	0,086
dust (13%/O2) [mg/m³]	36	30	31
NOx (13%/O2) [mg/m³]	109	110	110
CxHy (13%/O2) [mg/m³]	54	41	51
wall distance, rear	15 cm	20 cm	15 cm
wall distance, side	15 cm	15 cm	15 cm
distance to the front	80 cm	80 cm	80 cm



Fulfills the latest standards in burning wood, wood-briquettes and pellets (please see applicable standards).

Please check the instruction manual for this wood & pellet burning stove.

Suitable for multiple chimneys.

Values in (..) are for stone covers.

* depending on stove location in the living area, room isolation, height of the room and amount of fuel

Subject to alterations; errors including printer's errors.

Our specialised stove builders and retailers will assist you with practical advice.

Stove made of steel , model Bonn

ENR	model	delivery time		€ excl. VAT
156-2001	Bonn Steel ↑ · stove body anthracite · sides and top in anthracite steel · door handle made of stainless steel	3		
outside air connection possible: Be sure to specify when ordering: outside air connection horizontal or vertical (is included in scope of delivery)				
pellet box - without electricity				
552-2014	pellet box S with 7,5 kW (at purchase with a stove) pellet box S with 7,5 kW (retrofit kit)			
552-2004	pellet box XL with 11 kW (at purchase with a stove) pellet box XL with 11 kW (retrofit kit) · made of heat-resistant stainless steel · at type S with 2, at type XL with 3 black ceramic specialised glasses · with lighter, silicone gloves, pellet-felt bag up to 20 kg, cleaning brushes, pellet shovel provided			
Accessories & spare parts (Important! Always specify serial number!)				
303 136	combustion chamber chamottes (set) 1. BImSchV level 2			
308 139	fire glass incl. gasket set			
307 010	glass seal combustion chamber			
303 010	door seal combustion chamber			
912 007 0005	thermic glue 1100 °C (17 ml tube)			
For other connection accessories, please see list of accessories.				